



DRAWS™ Digital Radio Amateur Workstation

HW Features:

- Raspberry Pi 3 Compliant HAT
- Power HAT and Pi from 6-15VDC
 - Onboard Voltage Monitor
- 2 Radio Interfaces
 - Mini DIN-6 Connectors
 - Cables Included
- On Board GPS
 - Optional External Antenna w/LNA
 - PPS for Stratum 1 Time Source
 - Battery Backed Real Time Clock
- Accessory Port
 - PWR, IO, Serial Port, Analog In

Open Source Software:

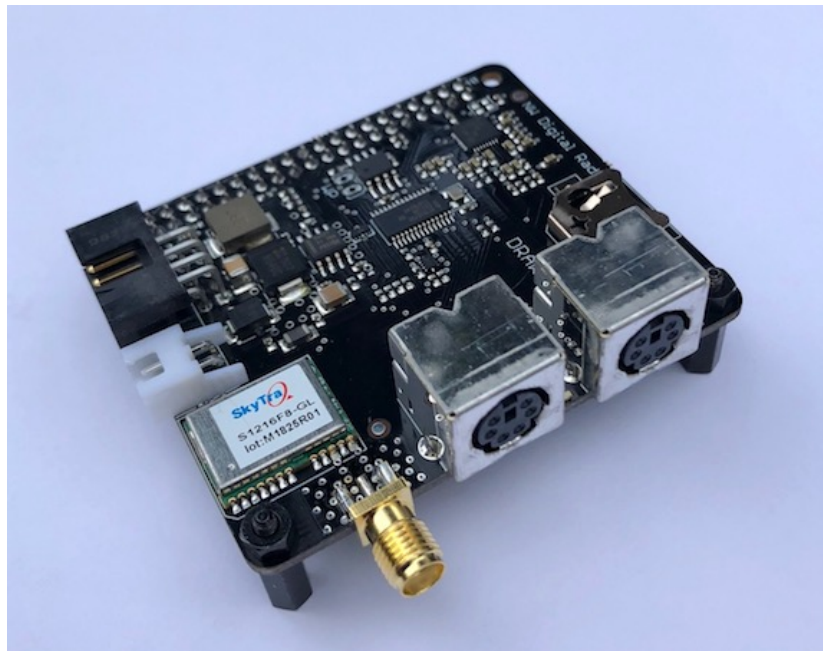
DRAWS™ self identifies to the OS for configuration.

An image will be available on release with popular applications pre-installed, including:

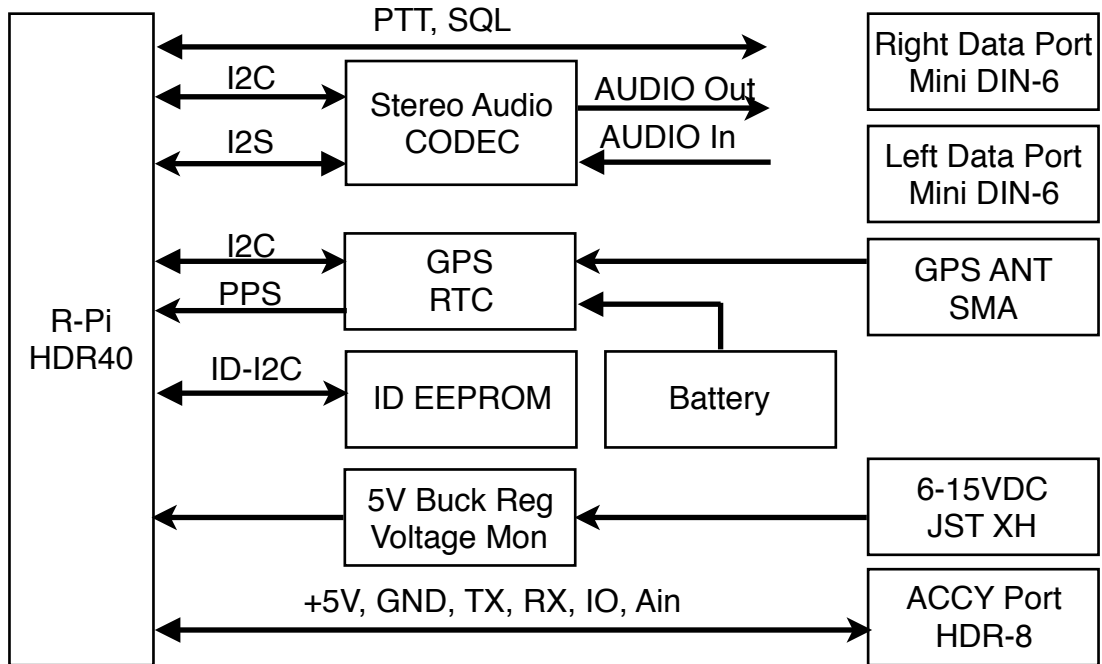
- Packet
 - DIREWOLF 1200/9600
 - APRS, WinLink, ARDOP
- Soundcard Digital
 - FLDIGI, WSJT-X
- Digital Voice Repeater/Hotspot

Operating Modes:

- Headless, operate from your Computer
 - Network Attach or VNC
- Workstation, operate locally by adding
 - HDMI Monitor
 - USB Keyboard & Mouse



Block Diagram



Radio: Mini DIN-6F Pinout

Function	Pin	PI	Direction	Level	Notes
AFIN	1	Line Out L/R	Output	1.5V p-p	10 uF DC Capacitor
GND	2	GND			
PTT	3	IO12/23	Output	OC 12V	
DISCOUT	4	Line In 1 L/R	Input	1.5V p-p	10 uF DC Capacitor
AFOUT	5	Line In 2 L/R	Input	1.5V p-p	10 uF DC Capacitor
SQL	6	IO25/27	Input	12V Max	Pullup to 5V

Accessory Connector HDR-4X2M Pinout ALL Pins 0 to +3.3V max

IO22/Ain2	IO24/Ain3	IO5	GND
7	5	3	1
8	6	4	2
+5VDC @ 250mA	RX	TX	IO6

Board Layout

